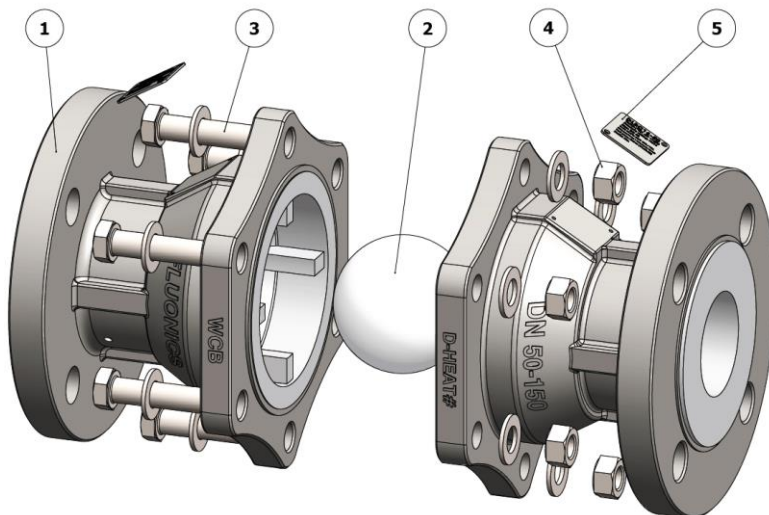


FLUONICS Lined Products

BALL CHECK VALVE

Series FBC



STRUCTURE & SPECIFICATIONS

NO.	PART NAME	MATERIAL
1	BODY	WCB / CF8 with PFA
2	BALL	PTFE
3	HEX. HEAD BOLT	A193 Gr B8
4	HEX. NUT	A193 Gr B8
5	TAG	SUS 304