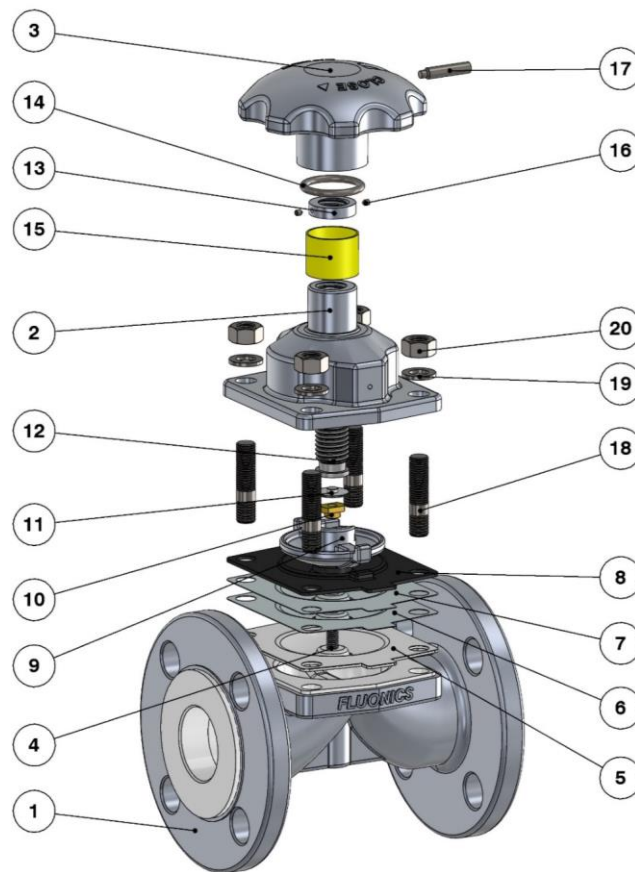


FLUONICS Lined Products

Series FDI1



STRUCTURE & SPECIFICATIONS

No.	PART NAME	MATERIAL	No.	PART NAME	MATERIAL
1	BODY	WCB/CF8/D.I with PFA	11	SPINDLE BEARING	POM
2	BONNET	WCB/CF8/D.I	12	SPINDLE	STAINLESS/CARBON STEEL
3	HANDWHEEL	WCB/CF8	13	STOPPING NUT	STAINLESS STEEL
4	DIAPHRAGM SHEET BOLT	SUS316/Ti-Pd(*Option)	14	O-RING	VITON
5	DIAPHRAGM SHEET	M-PTFE	15	INDICATOR	PLASTIC
6	DIAPHRAGM FILM	PFA(*Option)	16	STOPPING NUT SET SCREW	STAINLESS STEEL
7	DIAPHRAGM FILM	PTFE(*Option)	17	HANDWHEEL SET SCREW	STAINLESS STEEL
8	DIAPHRAGM RUBBER	EPDM/VITON(*Option)	18	STUD BOLT	STAINLESS STEEL
9	COMPRESSOR	CF8	19	WASHER	STAINLESS STEEL
10	FLOATING NUT	BRASS	20	HEX NUT	STAINLESS STEEL