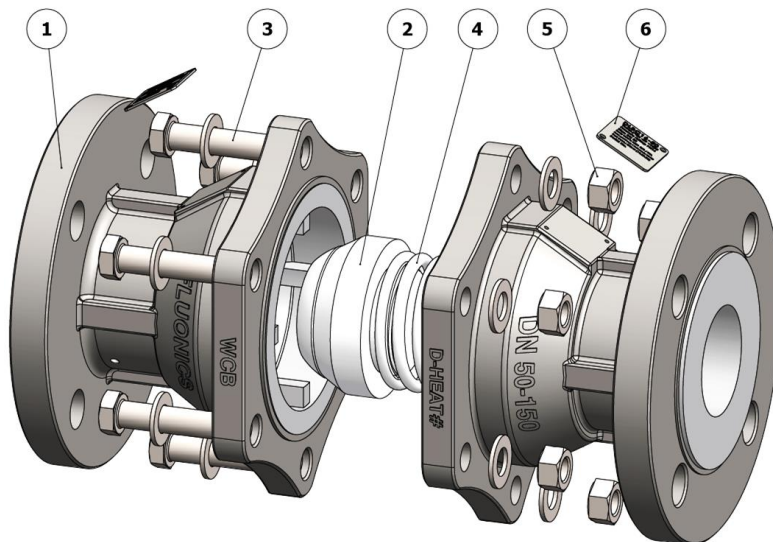


FLUONICS Lined Products

SPRING CHECK VALVE

Series FSC



STRUCTURE & SPECIFICATIONS

NO.	PART NAME	MATERIAL
1	BODY	WCB / CF8 with PFA
2	PISTON	PTFE
3	SPRING	SUS 304 with PFA
4	HEX. HEAD BOLT	A193 Gr B8
5	HEX. NUT	A193 Gr B8
6	TAG	SUS 304