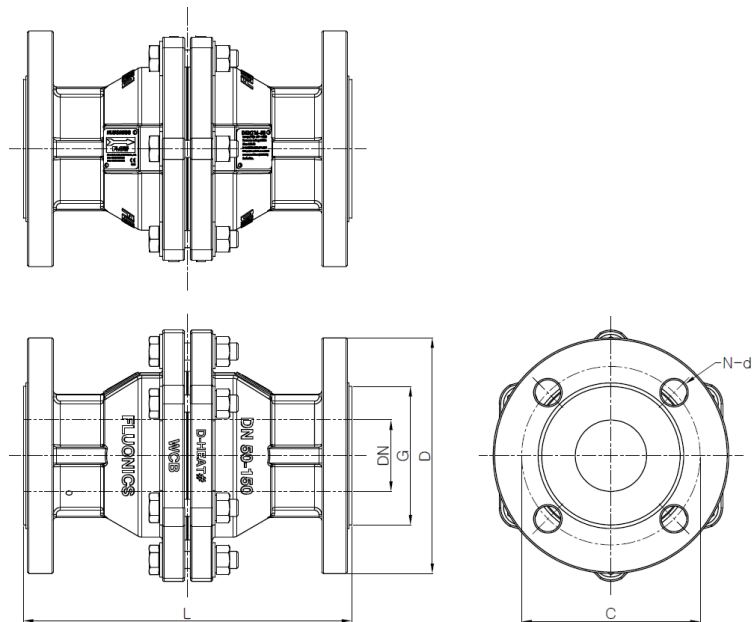


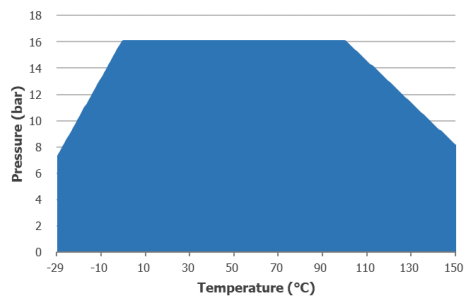
FLUONICS Lined Products

SPRING CHECK VALVE

Series FSC



▼ Pressure-Temperature Chart



ANSI 150 LBS

SIZE	DN	L	D	C	G	N-d
½"	20	130	88.9	60.4	36	4-16
¾"	20	150	98.6	69.9	45	4-16
1"	25	152.4	108	79.2	51	4-16
1½"	40	178	127	98.5	73	4-16
2"	50	203	152.4	120.6	93	4-19
3"	76	241	190.5	152.4	123	4-19
4"	96	292	228.6	190.5	151	8-19
6"	136.7	356	279.4	241.3	210	8-22

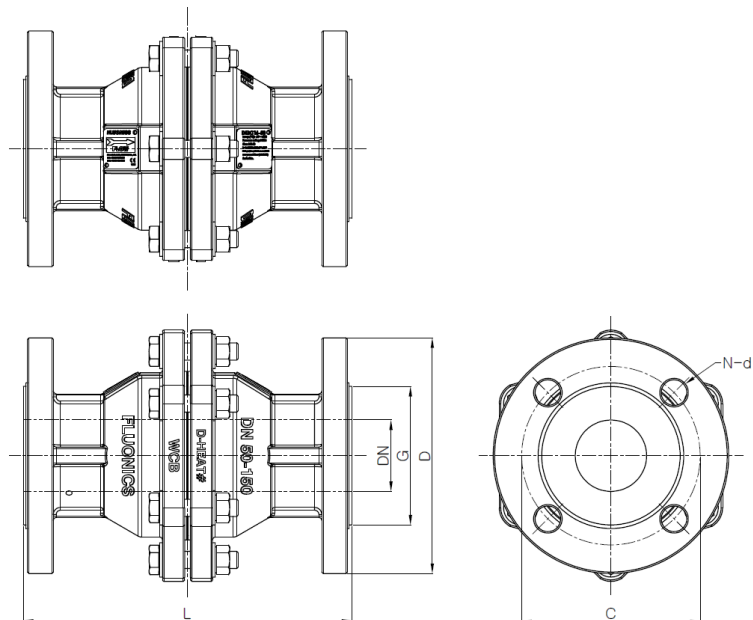
JIS 10K

SIZE	DN	L	D	C	G	N-d
15A	20	130	95	70	50	4-15
20A	20	150	100	75	52	4-15
25A	25	152.4	125	90	61	4-19
40A	40	178	140	105	76	4-19
50A	50	203	155	120	93	4-19
80A	76	241	185	150	123	8-19
100A	96	292	210	175	147	8-19
150A	136.7	356	280	240	208	8-23

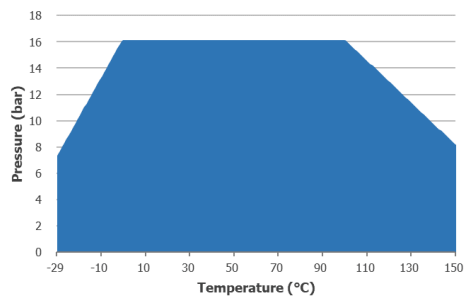
FLUONICS Lined Products

SPRING CHECK VALVE

Series FSC



▼ Pressure-Temperature Chart



PN 16_EN 558

SIZE	DN	L	D	C	G	N-d
15A	20	130	95	65	45	4-14
20A	20	150	105	75	52	4-14
25A	25	160	115	85	61	4-14
40A	40	200	150	110	76	4-18
50A	50	230	165	125	97	4-18
80A	76	310	200	160	132	8-18
100A	96	350	220	180	152	8-18
150A	136.7	480	285	240	208	8-23