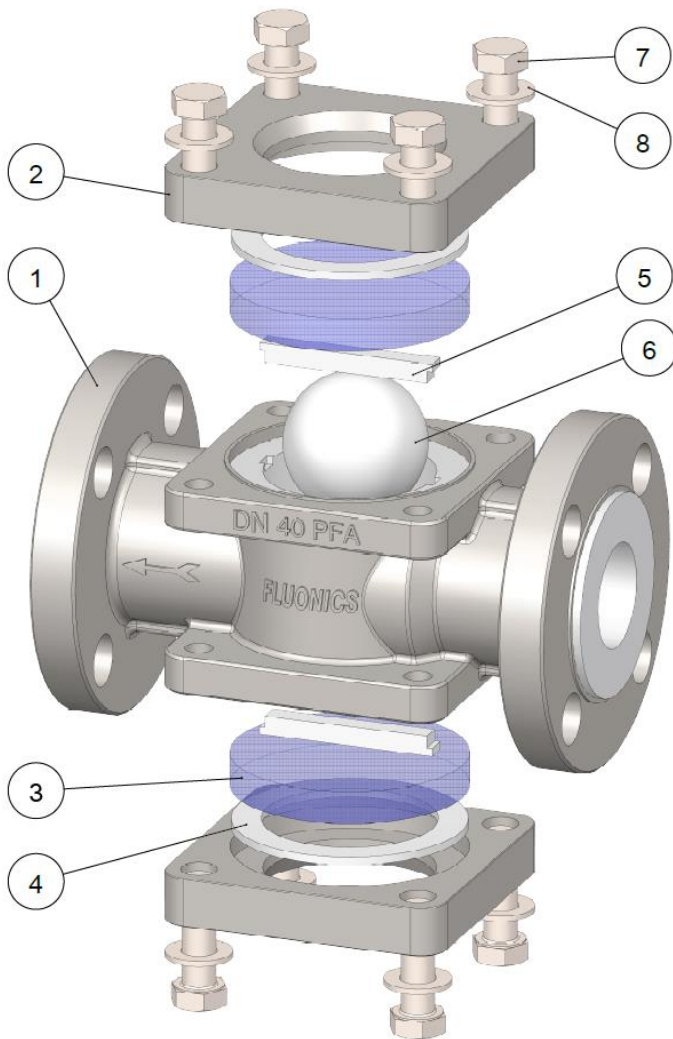


FLUONICS Lined Products

SIGHT GLASS

Series FSG



STRUCTURE & SPECIFICATIONS

NO.	PART NAME	MATERIAL
1	BODY	WCB / CF8 with PFA
2	BONNET	WCB / CF8
3	GLASS	BOLOSILICATE
4	GASKET	ARAMIDE
5	GUIDE	PTFE
6	BALL	PTFE
7	HEX. HEAD BOLT	A193 Gr B8
8	HEX. NUT	A193 Gr B8