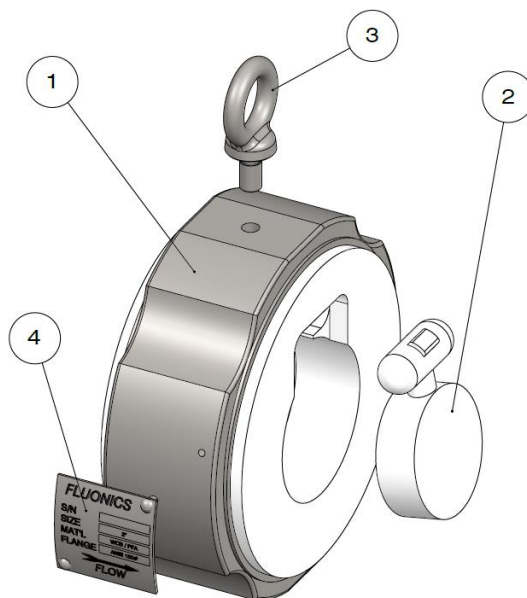


FLUONICS Lined Products

SWING CHECK VALVE

Series FSW



STRUCTURE & SPECIFICATIONS

NO.	PART NAME	MATERIAL
1	BODY	WCB / CF8 with PFA
2	DISC	PFA
3	EYE BOLE	SUS 304
4	TAG	SUS 304