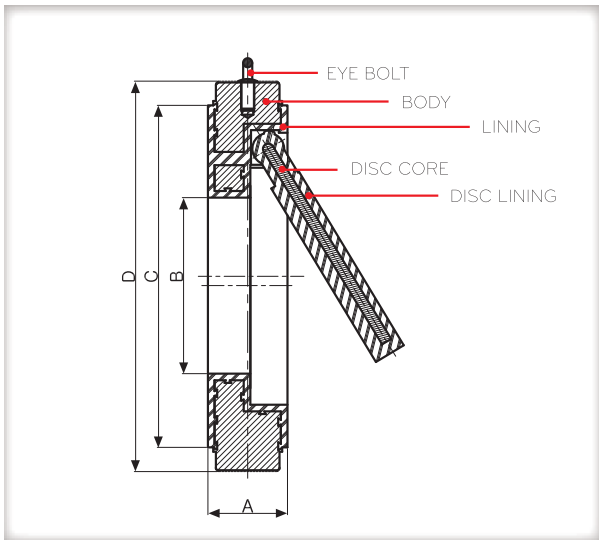




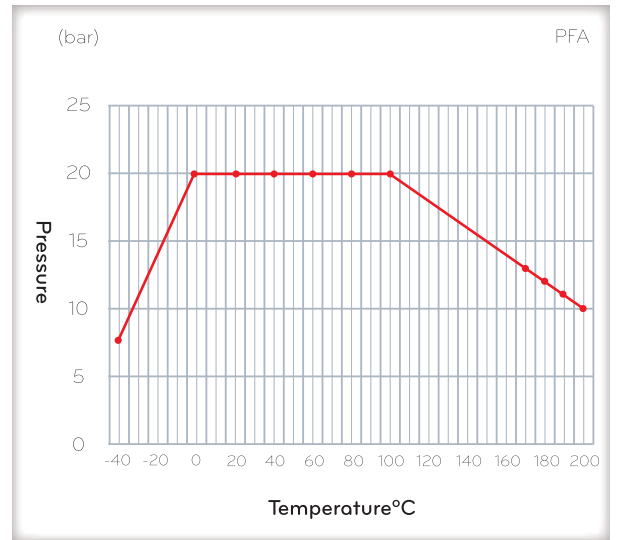
PFA LINED SWING CHECK VALVE

High Performance and Creative Technology Company

www.fluonics.com



SWING CHECK VALVE



Pressure-Temperature chart

GENERAL TECHNICAL DATA

Size (mm) :	40, 50, 80, 100, 150, 200, 250
(inch) :	1-1/2", 2", 3", 4", 6", 8", 10"
Pressure rating :	Max. 10 bar
Face to face dimension :	FLUONICS Standard
Temperature :	200°C(MAX.)
Flanges :	JIS 10K, ANSI 150 lbs

Lining with high durability

The lining resin is locked by grooves allow the valves to be used on high vacuum, pressure and temperature application without lining collapse, shrinkage and blowout.

Lining virgin pure PFA

Suitable for corrosive, hazardous, pure hot and highly permeating media

PFA LINED SWING CHECK VALVE

High Performance and Creative Technology Company

DIMENSIONS

NOMINAL SIZE	JIS ANSI	(mm)							
		40A 1-1/2"	50A 2"	80A 3"	100A 4"	150A 6"	200A 8"	250A 10"	
A		33	43	46	52	56	60	68	
B		22	30	55	72	111	133	184	
C		76	92	124	148	207	258	318	
D		92	107	136	172	233	295	344	
Ref.		D	E	G	H	I	J	K	

MATERIAL

PARTS	MATERIAL
BODY	ASTM A351-CF8 / A216-WCB
BODY LINED	PFA
DISC	PFA
DISC CORE	SS400(1 1/2"-3" WITHOUT METAL CORE)
EYE BOLT	SUS304

ORDERING INFORMATION

Order example	J	B	C	S	EP
Connection	J				
Valve type		SWC			
Nominal size			E		
Valve body material				W	
Surface					EP

Valve body materials	Ref.
CARBON STEEL(A216-WCB/SCPH2)	W
STAINLESS STEEL(A351-CF8/SCS13A)	S

Connections	Ref.
JIS 10K	J
ANSI 150	A

Valve type	Ref.
Swing Check Valve	SWC
Spring Check Valve	SPC

Surface finish	Ref.
Electropolished	EP
Epoxy coated	P

Head Office & Factory

#561-11, Gwang Gyeok, Ho-jeo, Wonju-Si, Kangwon-Do, Korea
 Tel : 82-33-731-3550 / Fax : 82-33-731-3559 / www.fluonics.com