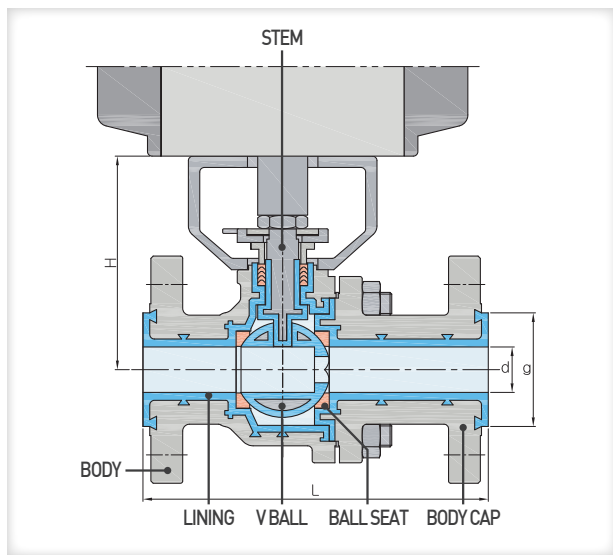




# PFA LINED V-PORT BALL CONTROL VALVE

High Performance and Creative Technology Company



V Ball control valve



### GENERAL TECHNICAL DATA

Size (mm) :	15 20, 25, 40, 50, 65, 80, 100, 150
(inch) :	1/2, 3/4, 1, 1 1/2, 2, 2 1/2, 3, 4, 6
Pressure rating :	Max. 15 bar
Face to face dimension :	ASME B 16.10 & FLUONICS Standard
Temperature :	-29°C ~ 150°C
Flanges :	JIS 10K ANSI 150

### Lining with high durability

The lining resin is locked by grooves allow the valves to be used on high vacuum, pressure and temperature application without lining collapse, shrinkage and blowout.

### Lining virgin pure PFA

Suitable for corrosive, hazardous, pure hot and highly permeating media

### Features of V PORT BALL VALVE

FLUONICS offers a characterized V ball available in 1" to 6" flanged ball valves as an option. This option provides a cost effective alternative to traditional style globe valve. The angle of v in the valve ball provides control option for throttling application.

# PFA LINED V-PORT BALL CONTROL VALVE

## High Performance and Technology Creative Company

### Dimensions

Valve Size	(mm)									
	mm Inch	15 1/2	20 3/4	25 1	40 1 1/2	50 2	65 2 1/2	80 3	100 4	150 6
d		15	20	25	36	50	65	76	96	145
L	JIS	140	152	165	191	216	240	250	280	267
	ANSI	127	127	127	165	178	203	203	229	267
g	JIS	45	49	60	73	94	103	123	147	210
	ANSI	40	49	51	70	94	123	123	147	210
H		89	94	109	123	146	180	205	215	281
Ref		A	B	C	D	E	F	G	H	J

### Material

Parts	Material
Body	SCS13A / SCPH2 / FCD
Lined	PFA
V Ball	SCS13A
Body cap	SCS13A / SCPH2 / FCD
Stem	SCS14A
Ball Seat	PTFE

### Ordering information

Order example	J	B	M	C	S	EP
Connection	J					
Valve type		B				
Operating			A			
Nominal size				C		
Valve body material					S	
Surface						EP

Connections	Ref.	Valve type	Ref.	Operating	Ref.	Valve body materials	Ref.	*Ball type	Ref.
JIS 10K	J	Diaphragm valve	D	Manual	M	PFA lined Carbon steel (SCPH2)	W	Full bore	FB
ANSI 150	A	Ball valve	B	Actuator	A	PFA lined Stainless steel (SCS13A)	S	V-port	V
						PFA lined Stainless steel (SCS14A)	M		
						PFA lined Stainless steel (SCS14A)	F		

\* Ball type : Mark separately if you order.

### Head Office & Factory

#561-11, Gwang Gyeok, Ho-Jeo, Wonju-Si, Kangwon-Do, Korea / Tel:82-33-731-3550 / Fax:82-33-731-3559 / [www.fluonics.com](http://www.fluonics.com)