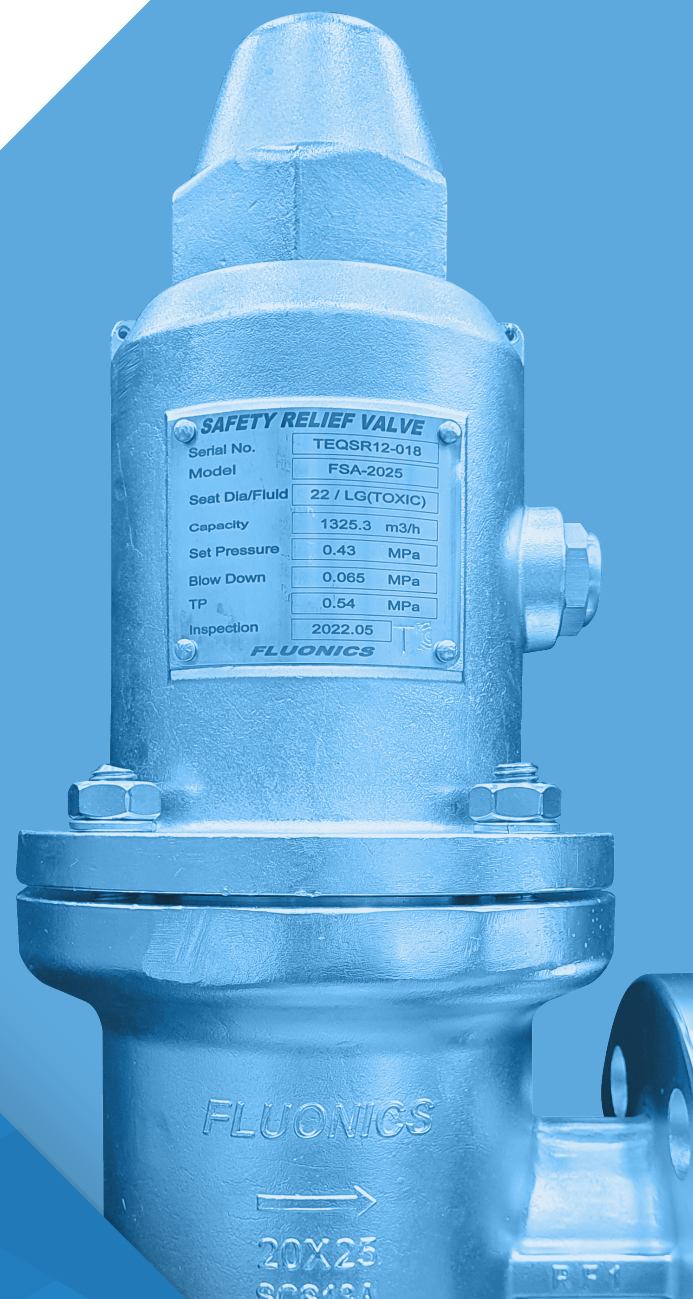




PFA Lined Safety Relief Valves

FSA Series



SAFETY RELIEF VALVE	
Serial No.	TEQSR12-018
Model	FSA-2025
Seat Dia/Fluid	22 / LG(TOXIC)
Capacity	1325.3 m ³ /h
Set Pressure	0.43 MPa
Blow Down	0.065 MPa
TP	0.54 MPa
Inspection	2022.05

FLUONICS

High Performance and
Creative Technology

www.fluonics.com

FLUONICS



20X25

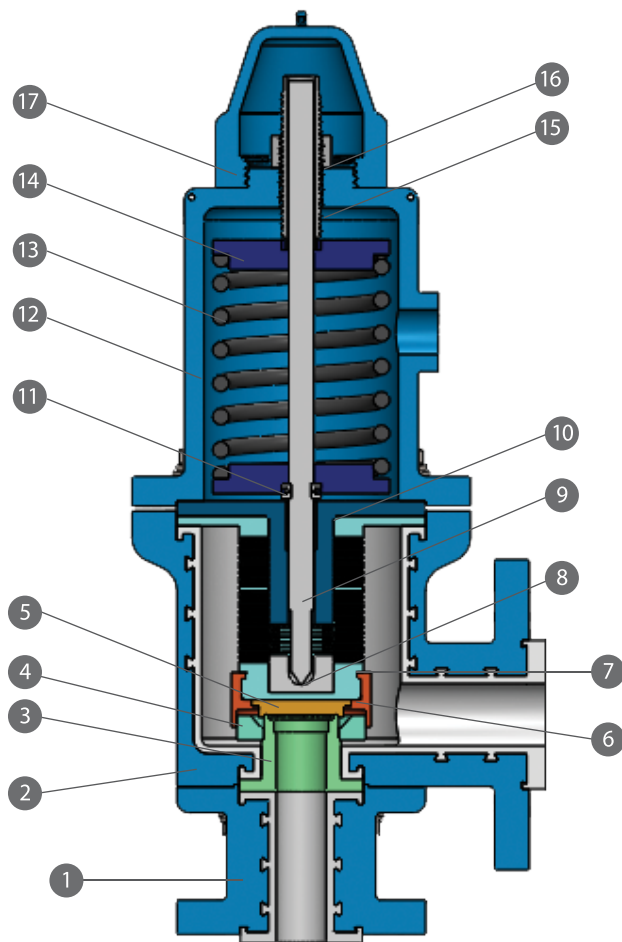
SCS18A

Description

1. All parts in contact with fluid are lined with fluororesin with excellent chemical and heat resistance.
2. TFM bellows completely seals the bonnet space and protects against leakage and corrosion
3. Interchangeable components (Nozzle, Nozzle ring, Disc, Lifting aid)
4. Bellows to prevent back pressure acting on the pipe
5. Bellows type with excellent durability and permeability resistance

Material Table

Part No.	Part Name	Materials
1	Inlet body	SCS13A with PFA
2	Outlet body	SCS13A with PFA
3	Nozzle	TFM or PTFE+CF25
4	Nozzle ring	TFM or PTFE+CF25
5	Disc	TFM or PTFE+CF25
6	Lifting aid	TFM or PTFE+CF25
7	Bellows	TFM
8	Spindle stopper	SUS304
9	Spindle	SUS304
10	Stopper	SUS304
11	Spindle positioner	SUS304
12	Bonnet	SCS13A
13	Spring	SWC
14	Spring holder	SUS304
15	Adjusting bolt	SUS304
16	Adjusting nut	SUS304
17	Bonnet cap	SCS13A

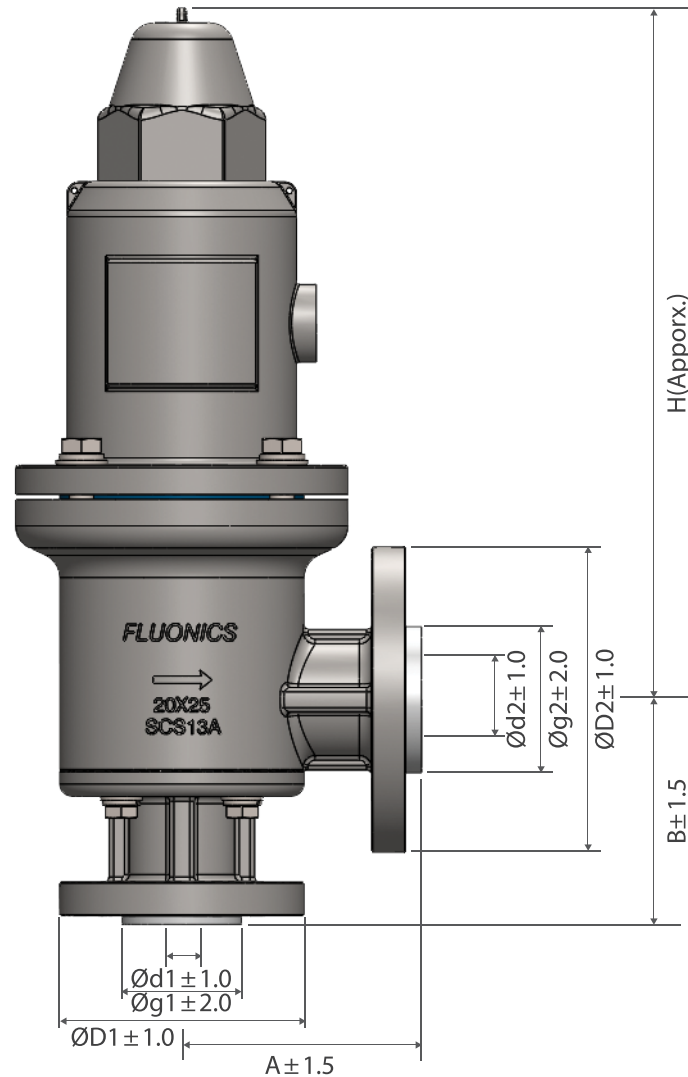


Specification

Body	Stainless Steel + PFA Teflon Lined
Trim	TFM or PTFE+CF25
Set Pressure	0.1 ~ 1.0 MPa (1.0197 ~ 10.197 kg/cm ²)
Working Temperature	-20°C ~ +180°C
Design	KS B 6216
Certification	KGS
Class	ANSI 150#, JIS 10K
Type	Full Bore, Colsed Bonnet, Bellows, No Lever

* Consult with manufacturer for set pressure below 0.1 MPa.

Dimension Table



VALVE SIZE INLET X OUTLET	L		JIS 10K		ANSI 150#		Ød1	Ød2	Øg1	Øg2	H
	A	B	ØD1	ØD2	ØD1	ØD2					
20AX25A	96	92	100	125	99	108	20	25	49	60	283
25AX40A	100	104	125	140	108	127	25	40	67	70	298
25AX50A	100	104	125	155	108	152	25	50	67	94	298
32AX50A	115	119	135	155	117	152	36	50	70	94	346
32AX65A	115	119	135	175	117	178	36	65	70	105	346
40AX50A	115	119	140	155	127	152	40	50	70	94	346
40AX65A	115	119	140	175	127	178	40	65	70	105	346
50AX80A	124	130	155	185	152	190	50	80	94	123	376
65AX100A	144	150	175	210	178	229	65	100	105	147	481
80AX100A	144	150	185	210	190	229	80	100	123	147	481



High Performance and Creative Technology

KOREA

FLUONICS CO., LTD.

Head Office & Factory

163-2 Gwanghak-ro, Hojeo-myeon
Wonju-si, Gangwon-do, Korea
+82-33-731-3550

sales@fluonics.com
overseas@fluonics.com

Sales Office

702-2, 15 Pangyo-ro, 228beon-gil, Bundang-gu,
Seongnam-si, Gyeonggi-do, Korea
+82-31-8018-6789

overseas@fluonics.com

Sales Office

32-4, Sangnam 2-gil, Cheongnyang-eup,
Ulju-gun, Ulsan, Korea
+82-52-258-3550

sales@fluonics.com

JAPAN

FLUONICS CO., LTD.

3-5-43, Nakanochō, Miyakojima-ku,
Osaka-shi, Osaka, 534-0027, Japan
+81-6-6351-8257

kimhj.jp@fluonics.com

CHINA

SHANGHAI FLUONICS VALVES&PIPING CO., LTD.

4 Floors, Building 5, No. 615 Lianying Road,
Chedun Town, Songjiang District,
Shanghai, China
+86-021-6119-8220

shanghai@fluonics.com

U.S.A. | North America

fluonics.america@gmail.com

NETHERLANDS | Europe

hpark@fluonics.com

www.fluonics.com